

CE 102: CIVIL ENGINEERING DRAWING



OBLIQUE VIEW

Samiha Tahseen

Lecturer, Department of Civil Engineering
University of Asia Pacific (UAP), Dhaka

CHAPTER – 6

WHAT IS OBLIQUE DRAWING?

The word “**oblique**” means “**slanting**” There are three axes-vertical, horizontal and oblique. The oblique axis, called receding axis is drawn either at 30° or 45° . Thus an oblique drawing can be drawn directly without resorting to projection techniques

TYPES OF OBLIQUE DRAWING

1. Cavalier Projection

When an oblique drawing is prepared to the exact dimensions of an object, it is called a **Cavalier Projection**. In many instances, however, cavalier projections make object appear distorted.

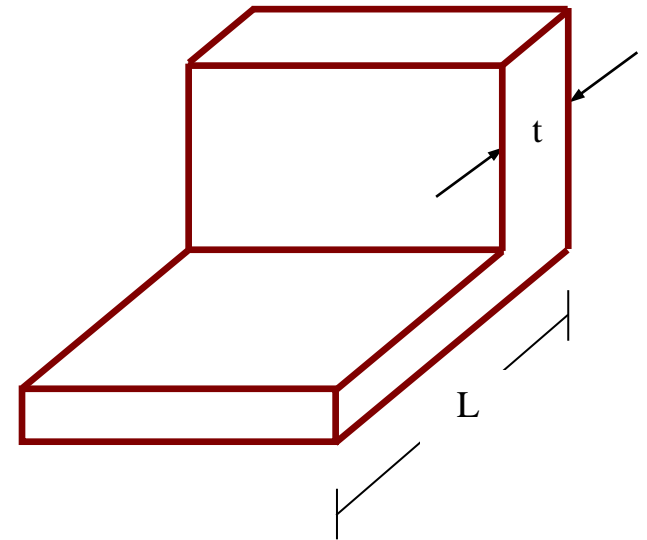


Fig: Cavalier Projection

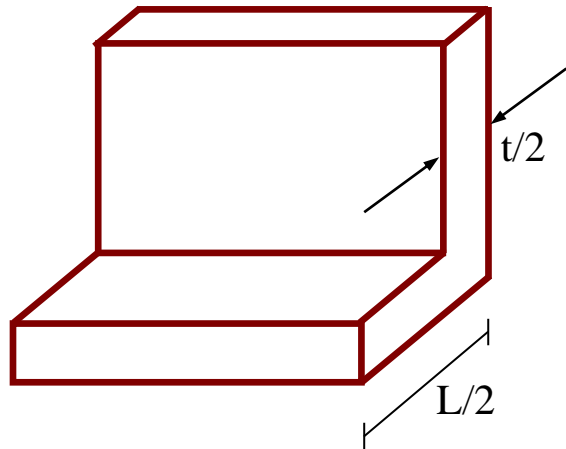
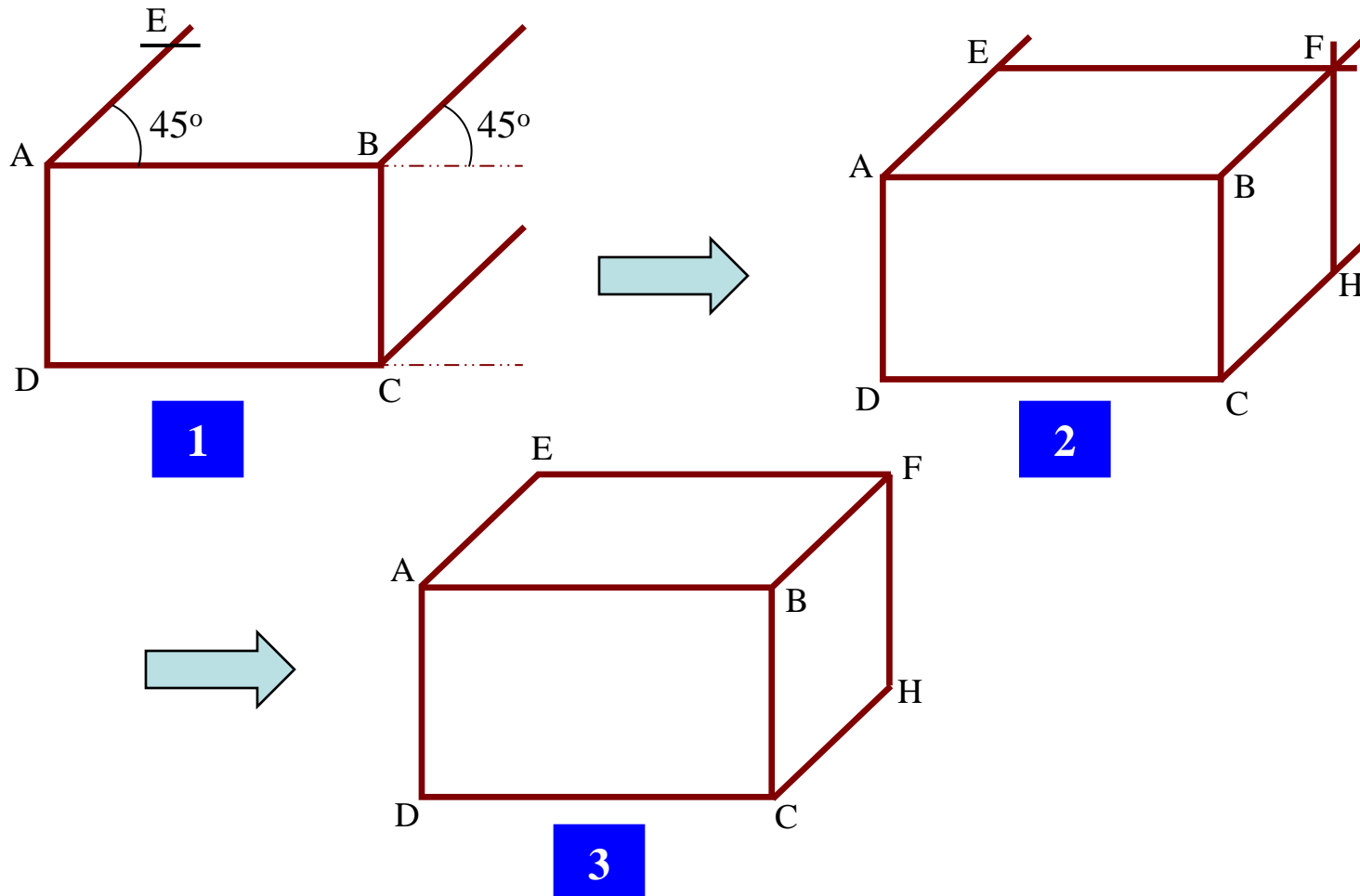


Fig: Cabinet Projection

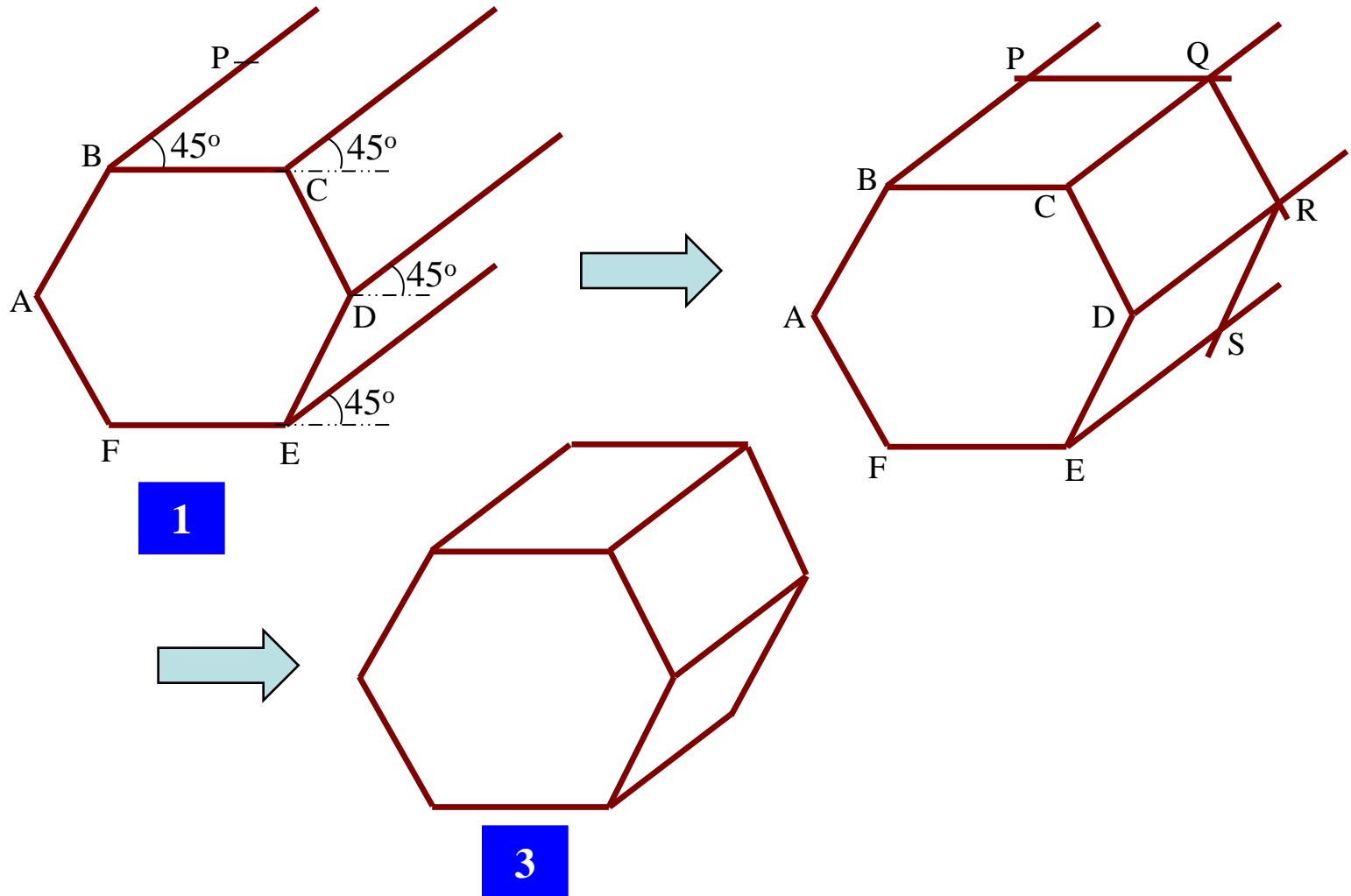
1. Cabinet Projection

To reduce distortion, the dimensions of receding lines of an object can be drawn half-scale. When this is done the resulting oblique view is called **Cabinet Projection** .

To draw the oblique view of a rectangular prism lying on H.P. The length and width of the rectangular face are 2" and 1" respectively. The height of the prism is 1.5".



To draw the oblique view of a hexagonal prism lying on one of its rectangular faces on H.P. Each side of the hexagonal face of 1.5" and height of the prism is 4".



Thank You

