

# CE 102: CIVIL ENGINEERING DRAWING



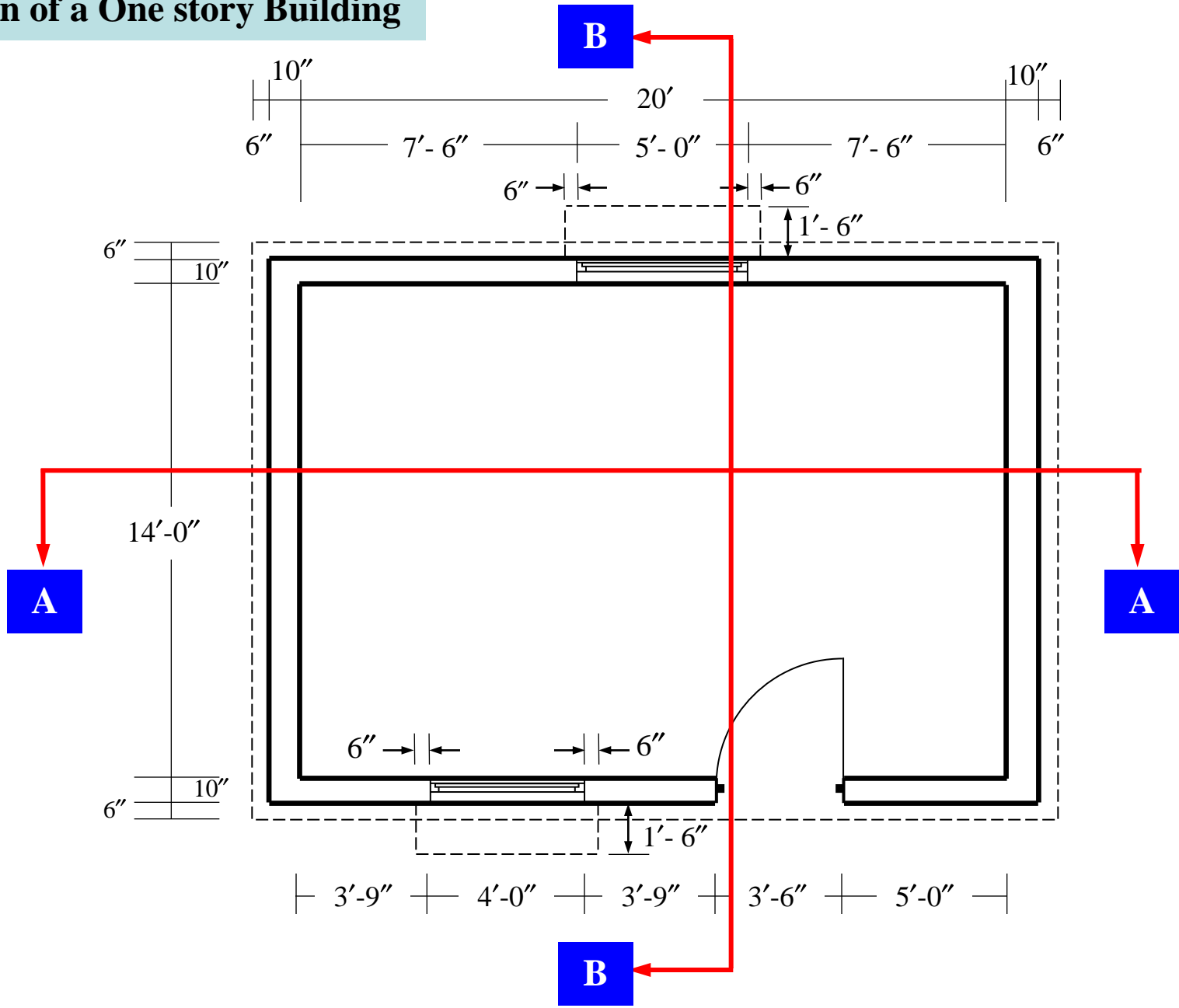
## **BUILDING DRAWING - 2**

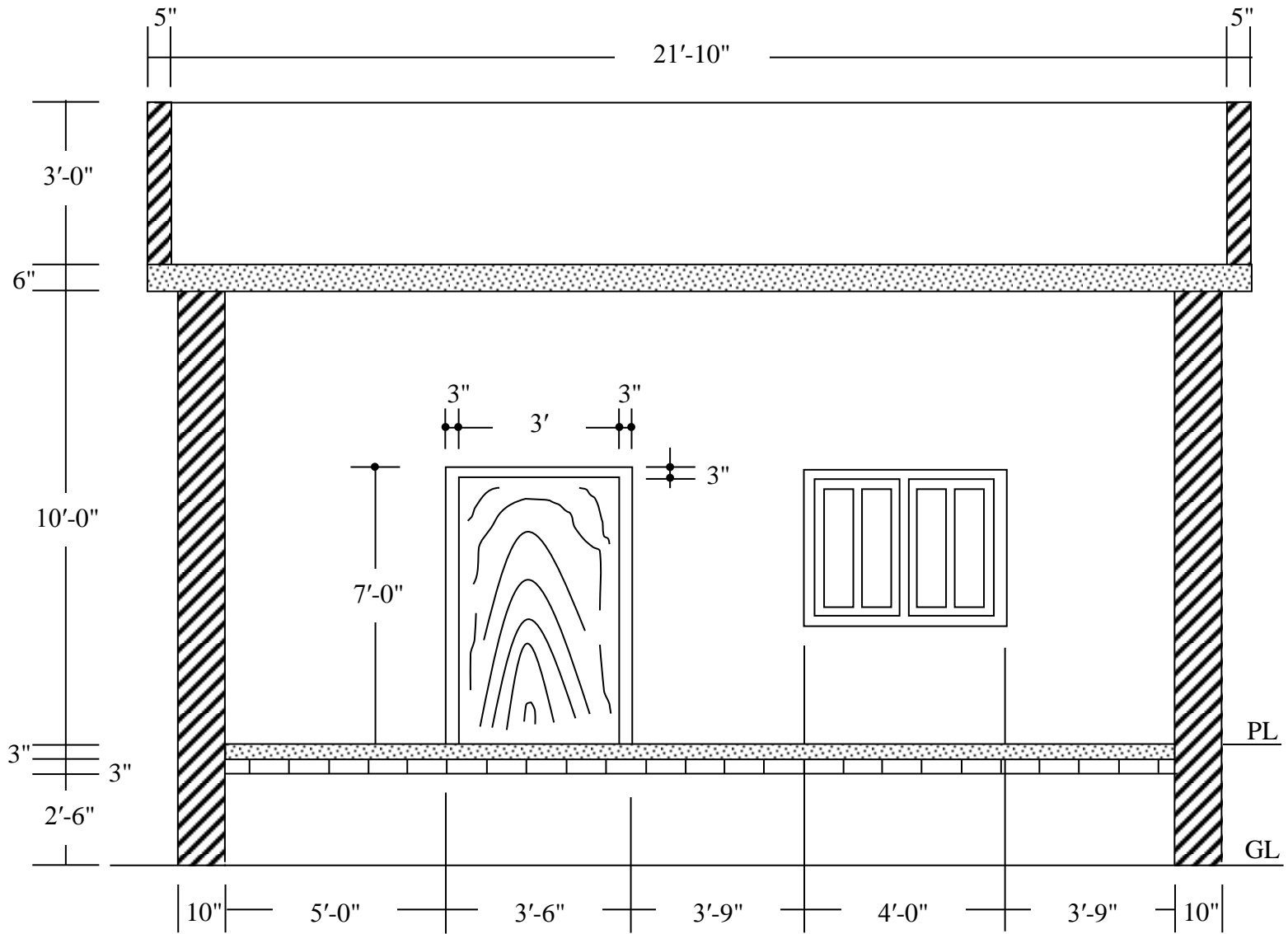
**Samiha Tahseen**

Lecturer, Department of Civil Engineering  
University of Asia Pacific (UAP), Dhaka

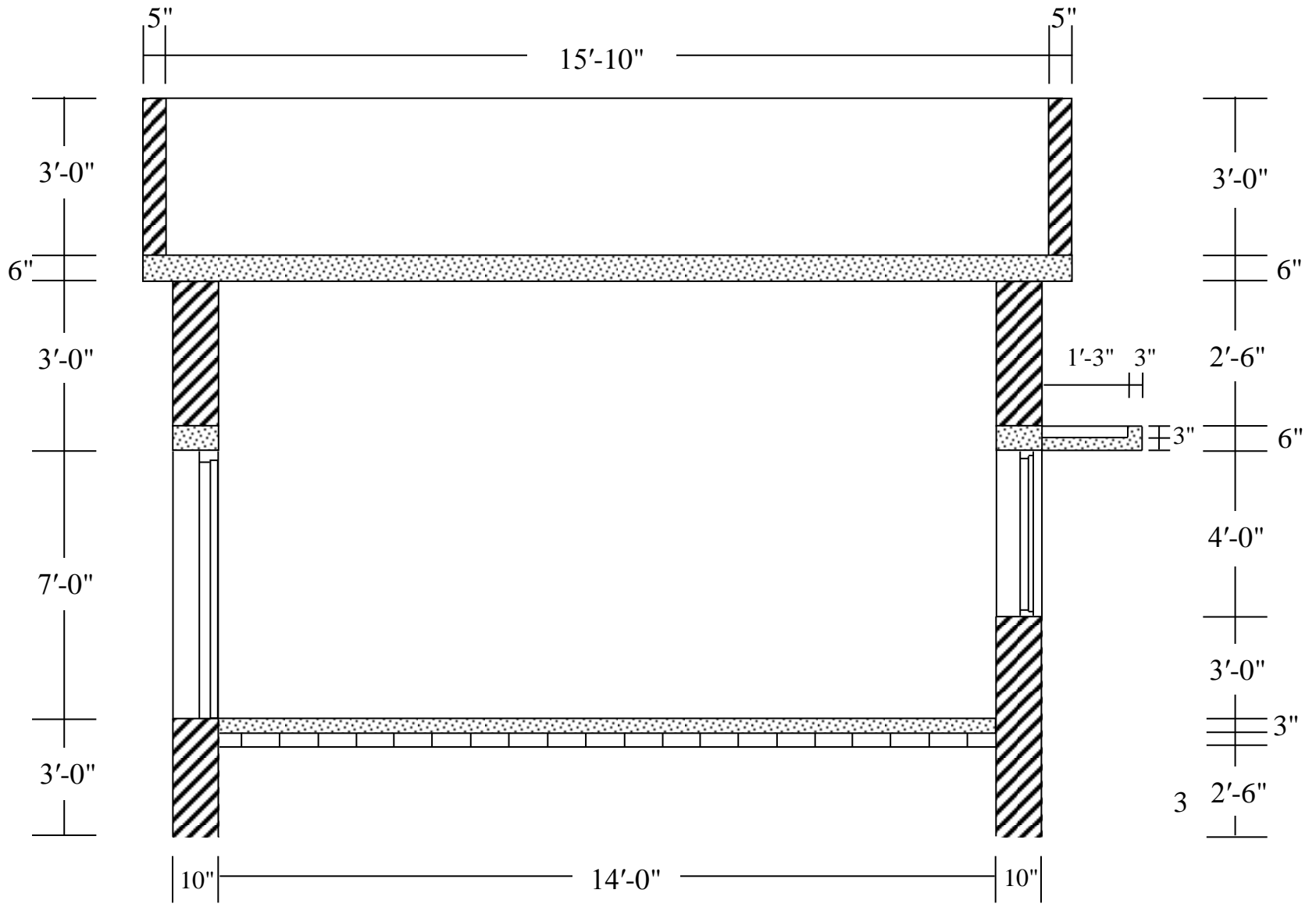
# CHAPTER – 8

# Plan of a One story Building



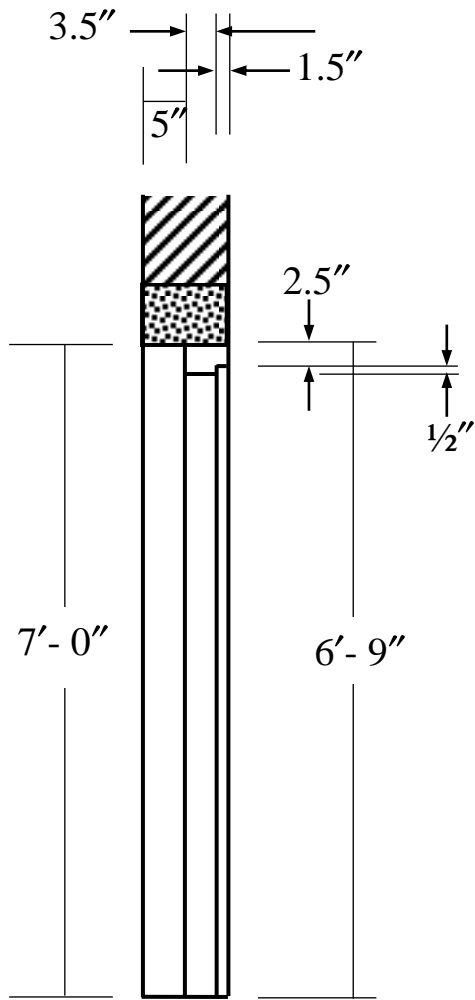


**Section A-A**

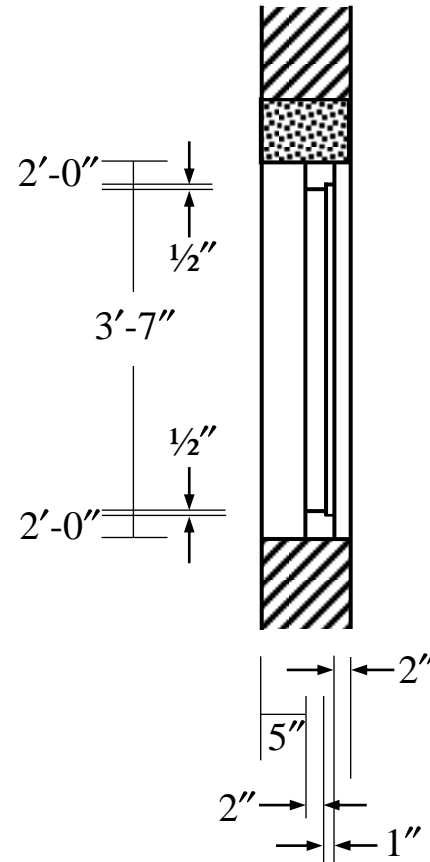


**Section B-B**

# Door section and window section



**Door Section**



**Window Section**

# Thank You

