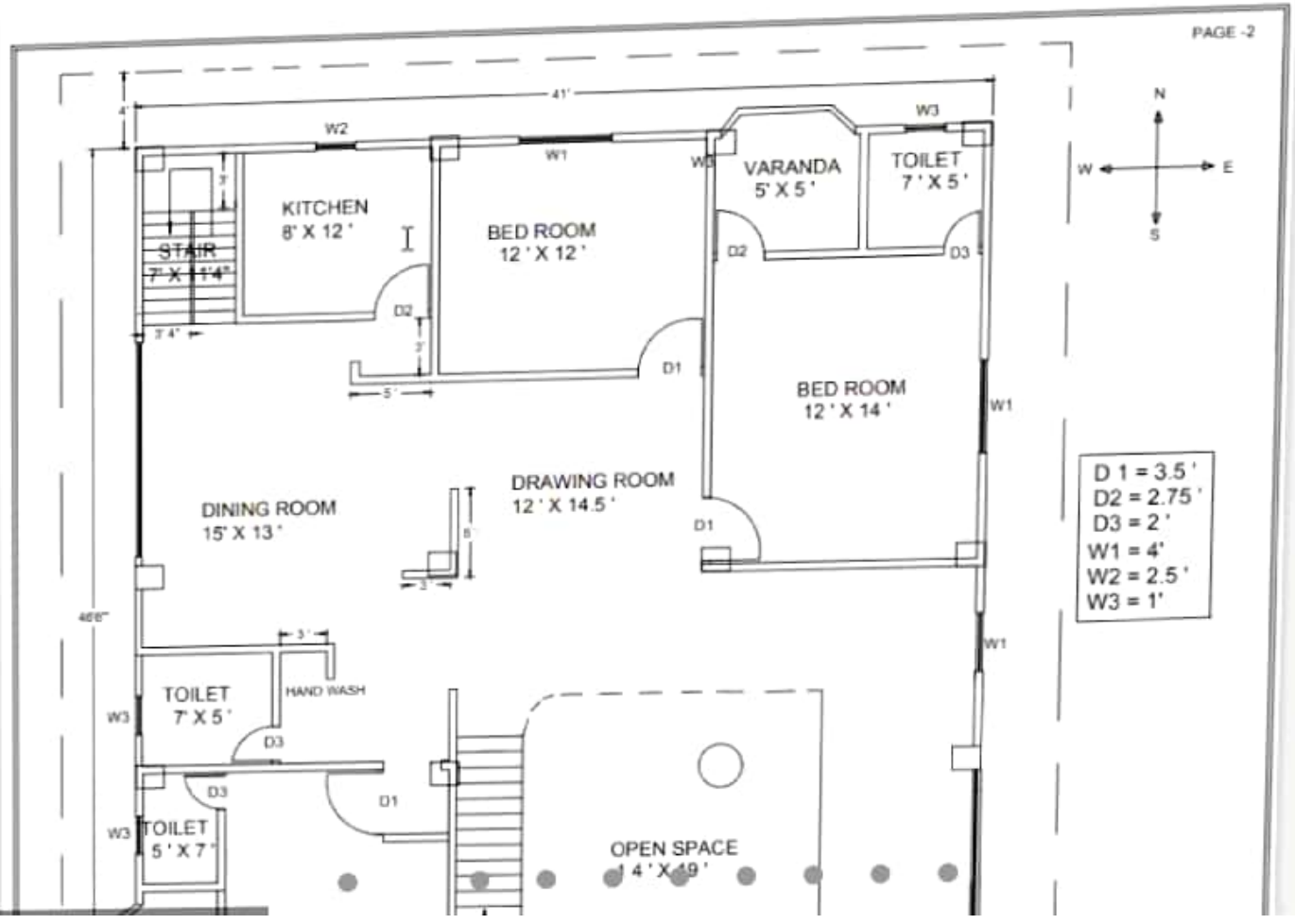
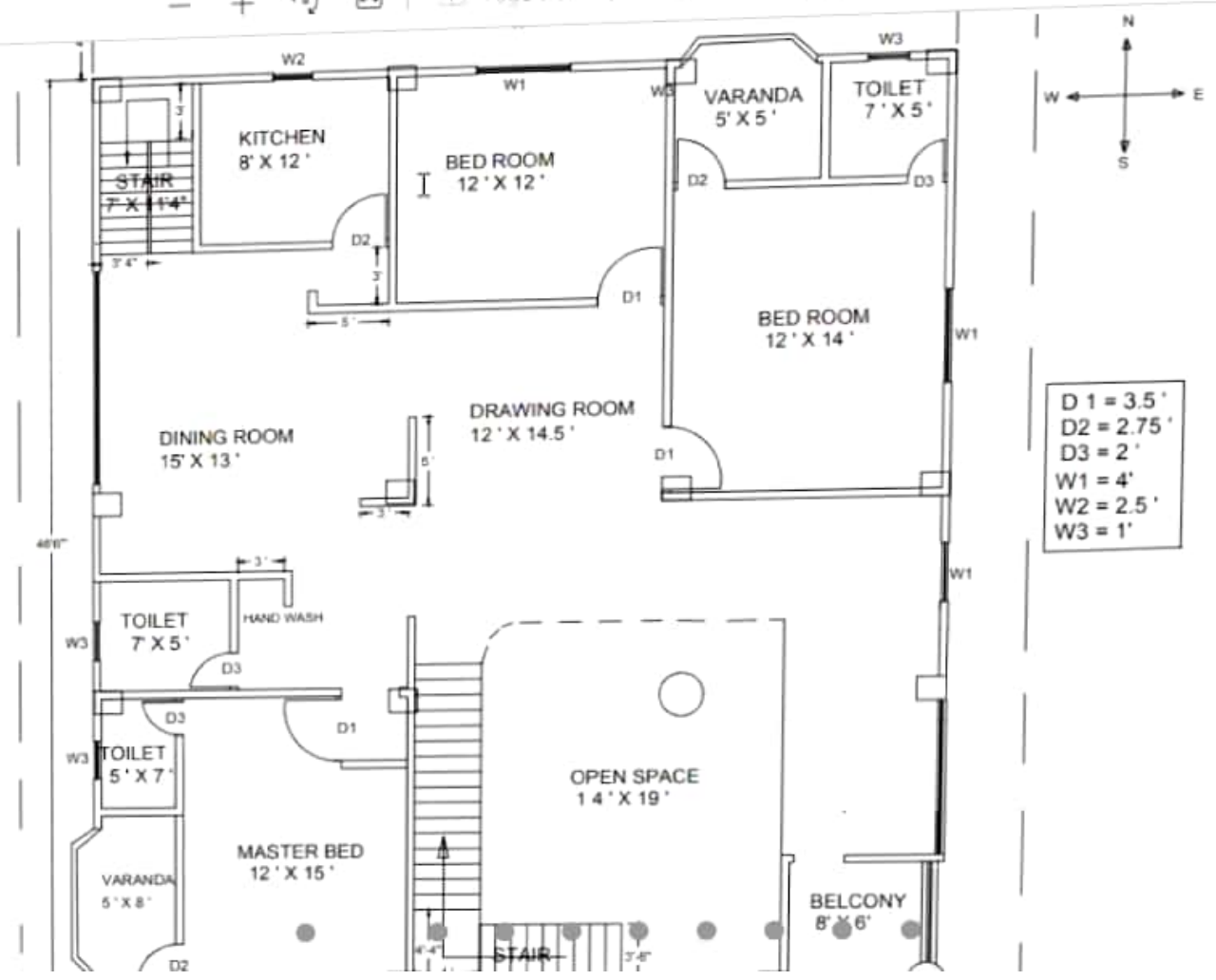
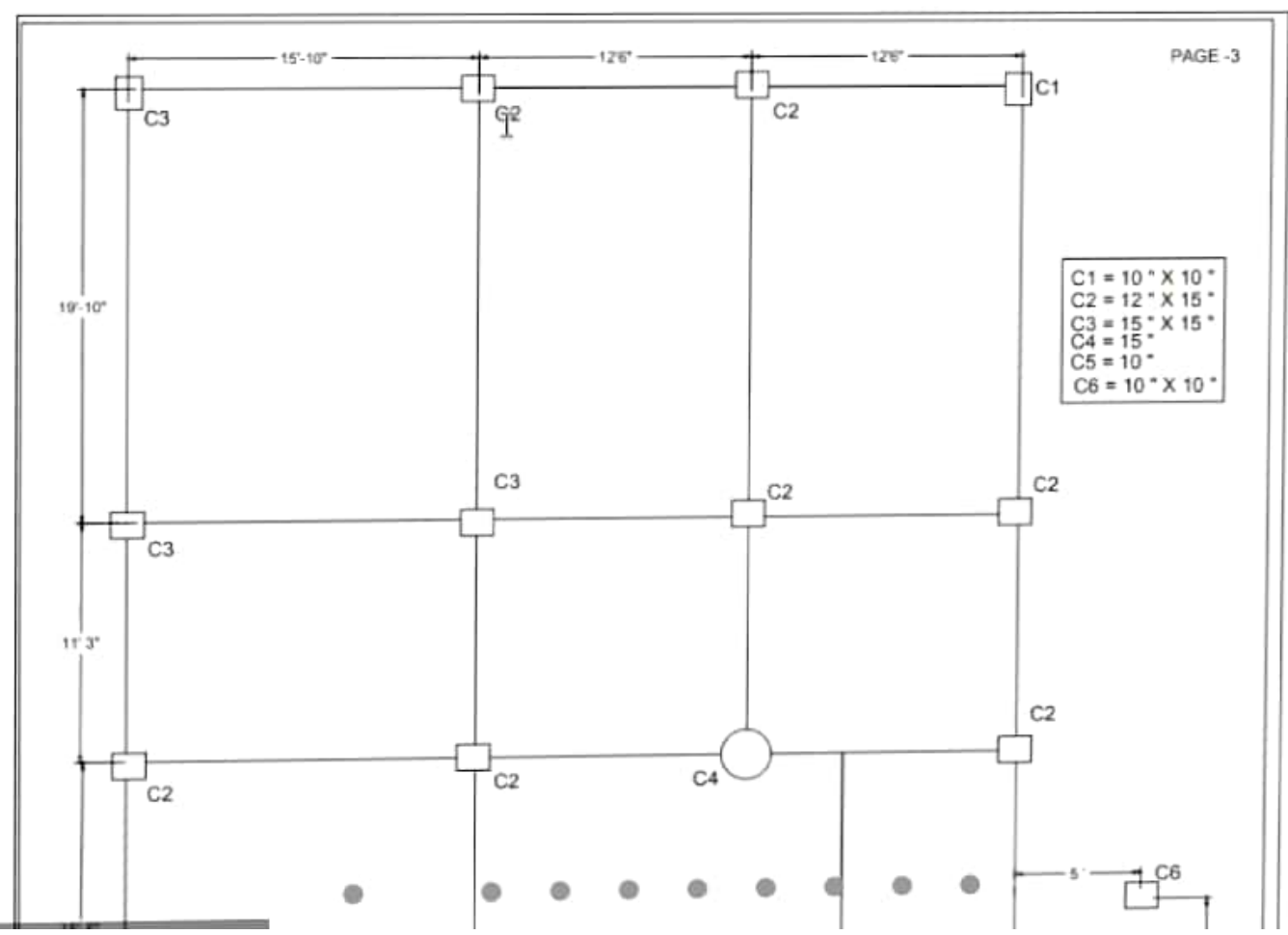


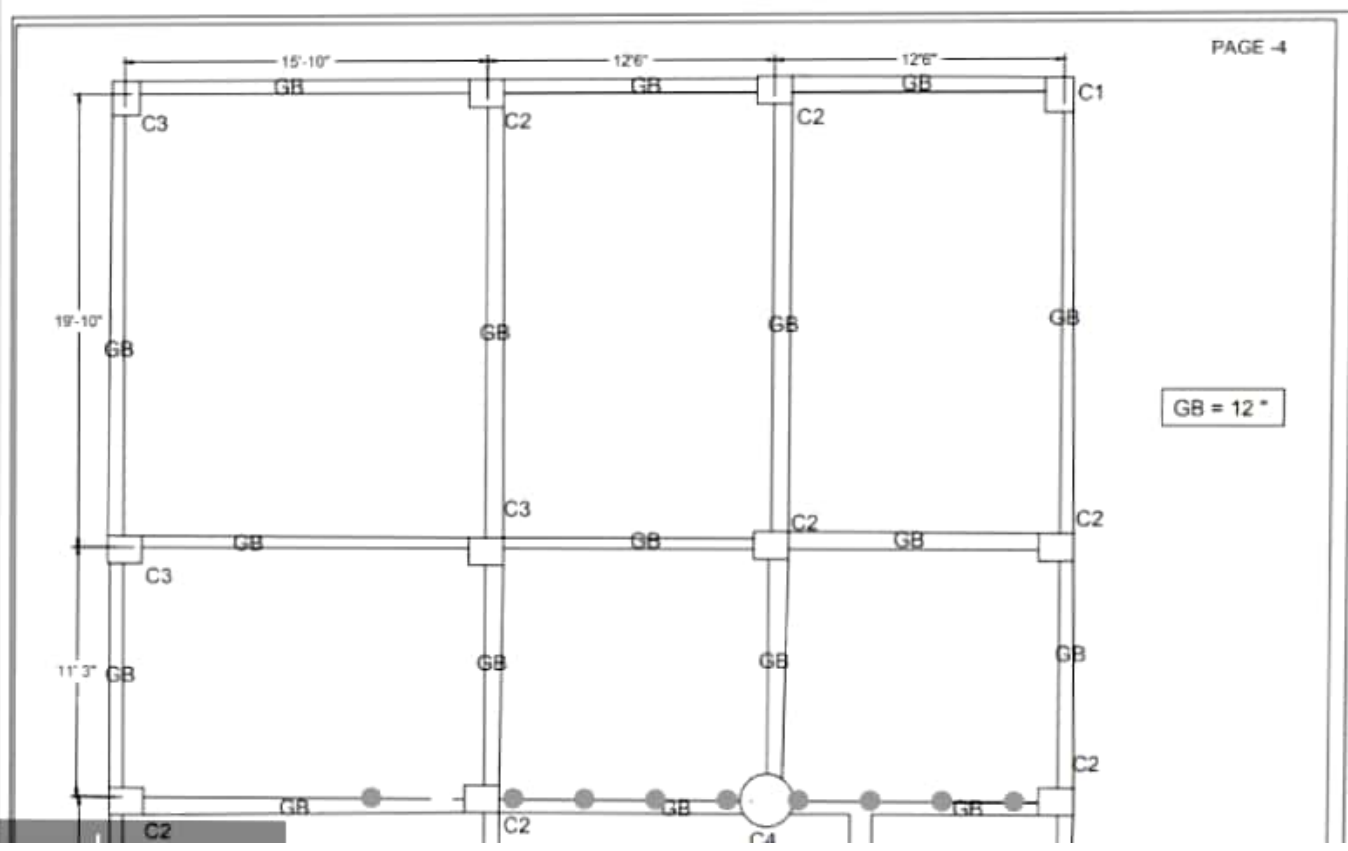
PLAN OF GROUND FLOOR

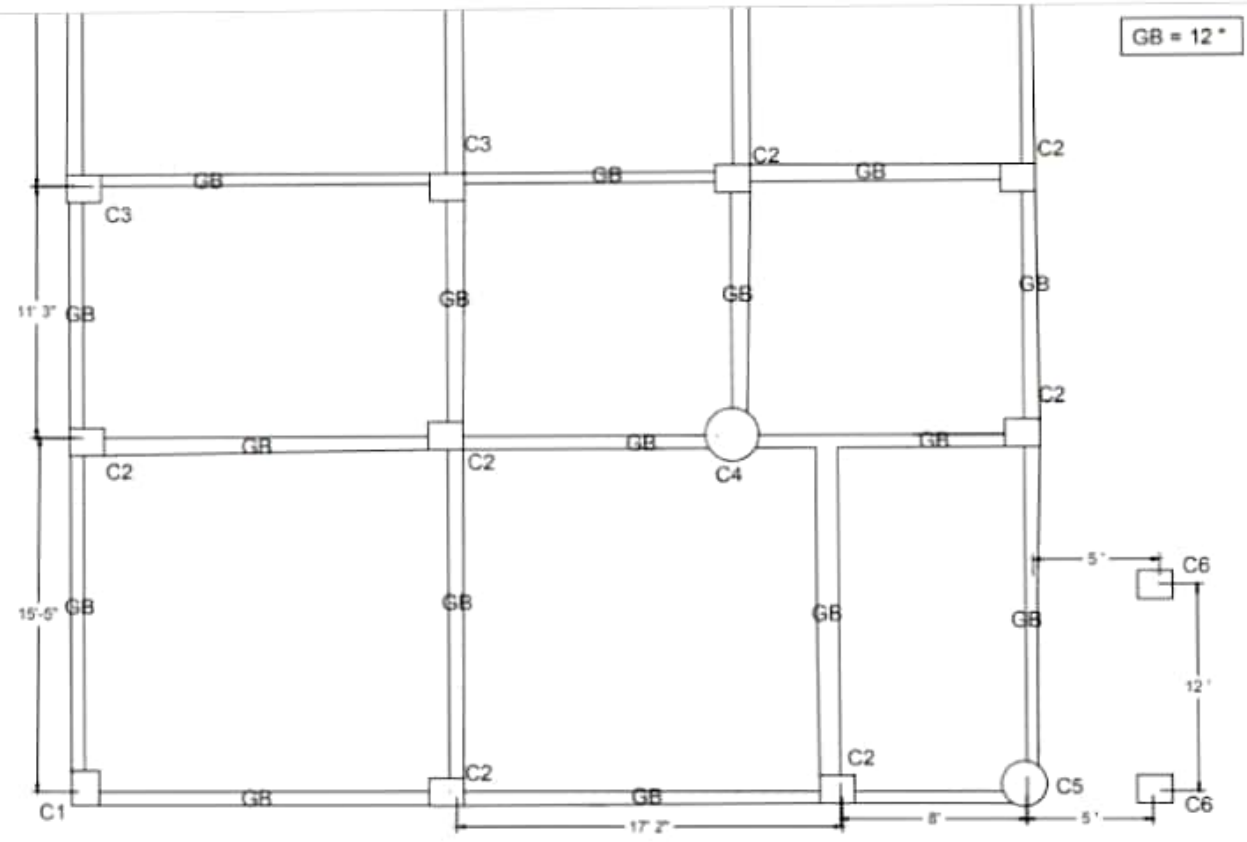
APPROVED BY	DESIGNED BY	DRAWN & CHECKED
	<p>Fig. 1. IN HOUSE, SLAB DESIGN</p>	







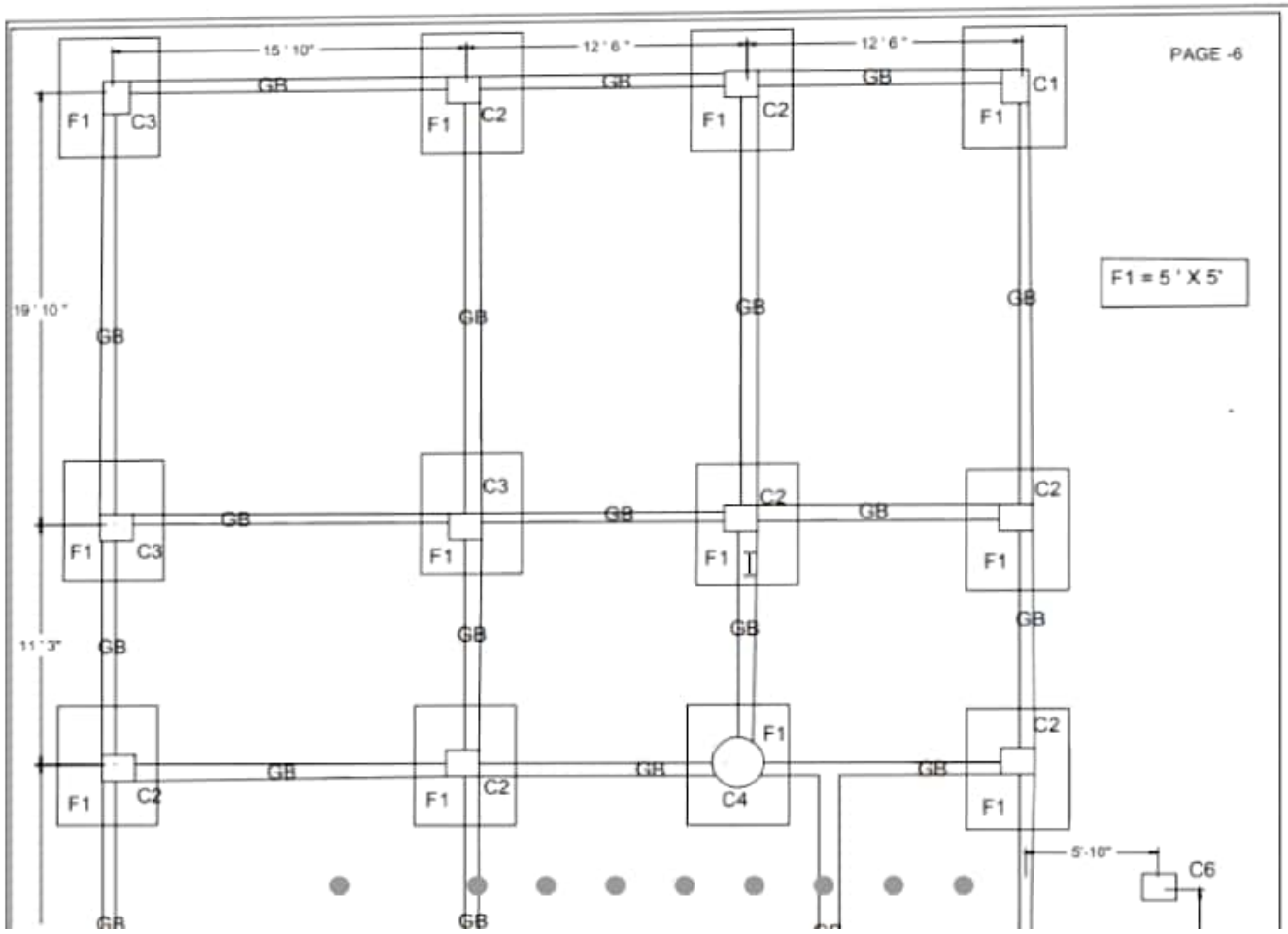




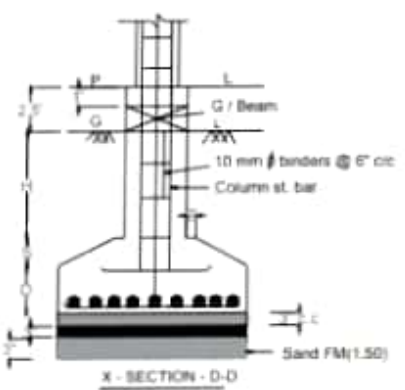
GRADE BEAM LAYOUT

APPROVED BY	DESIGN BY	OWNER & ADDRESS
	Eng. J. M. RAISUL ISLAM SHOHAG	





COLUMN CHART



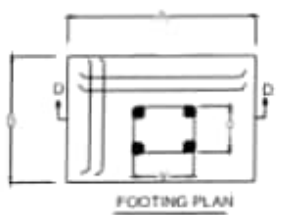
FLOOR	C1	C2	C3	C4	C5	TIE BAR
BELOW GRADE BEAM	 12" x 12" 4 - 16 mm $\phi$	 15" x 18" 6 - 16 mm $\phi$	 18" x 18" 8 - 16 mm $\phi$	 18" x 18" 8 - 16 mm $\phi$	 13" x 13" 4 - 16 mm $\phi$	10 mm $\phi$ @ 5" c/c near joint and @ 11" c/c at middle joint
UPTO 1ST FLOOR	 10" x 10" 4 - 16 mm $\phi$	 12" x 15" 6 - 16 mm $\phi$	 15" x 15" 6 - 16 mm $\phi$	 15" x 15" 8 - 16 mm $\phi$	 10" x 10" 4 - 16 mm $\phi$	

FOOTING CHART

SL	SIZE (A-B)	D	B	H	Bars (Long)	Bars (Short)
F1	5' x 5'	15"	4'	6'	16 mm $\phi$ @ 5' c/c	16 mm $\phi$ @ 5' c/c

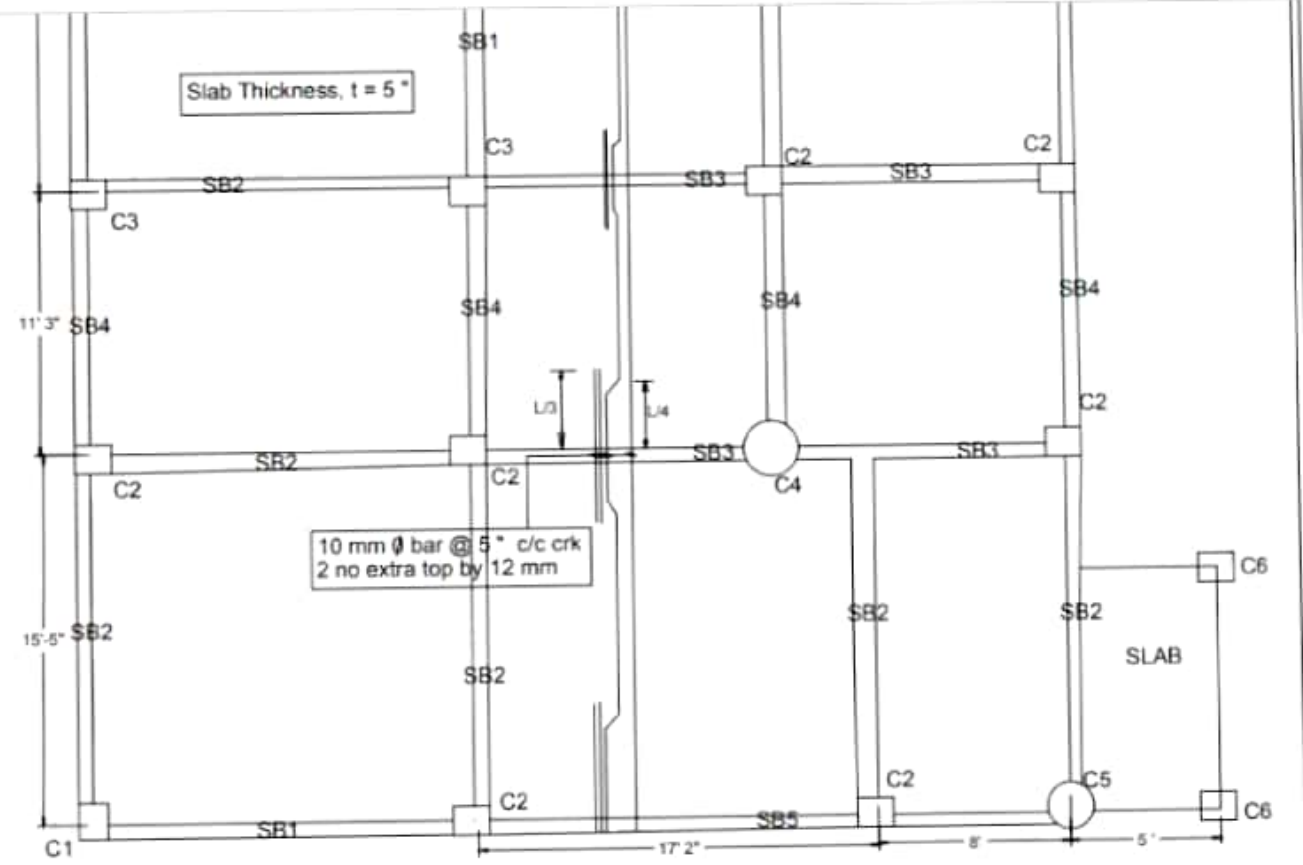
COLUMN WITHOUT REINFORCEMENT

C6
 10" x 10" No Reinforcement Only Brick



REINFORCEMENT DETAILS OF COLUMN

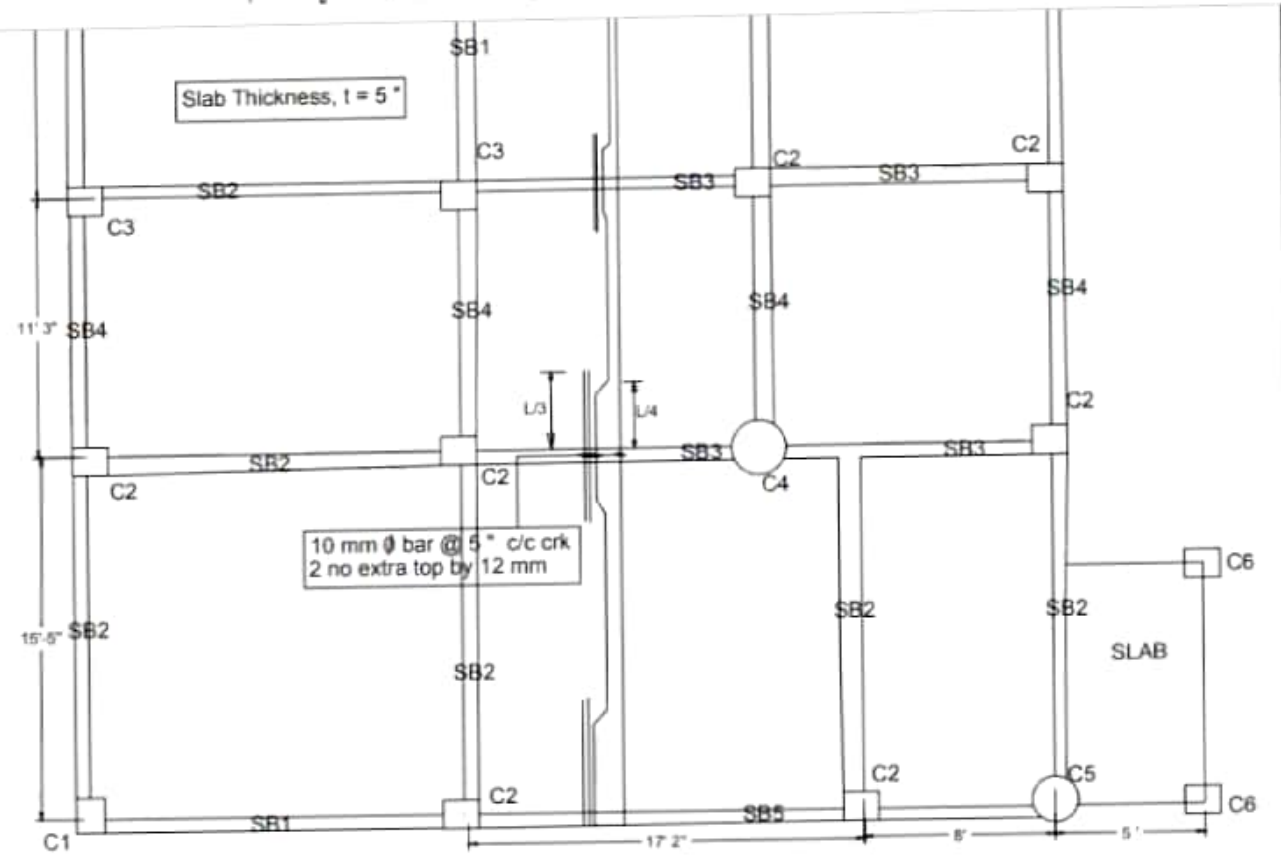
NOTE :-  
 CONCRETE  $f_c = 3000$  psi  
 CONCRETE MIX = 1:1.5:3 ( With Brick Stone L. ps)  
 (With Brick Stone L. ps)



**REINFORCEMENT DETAILS OF FLOOR / ROOF SLAB**

APPROVED BY \_\_\_\_\_ DESIGN BY \_\_\_\_\_ OWNER & ADDRESS \_\_\_\_\_



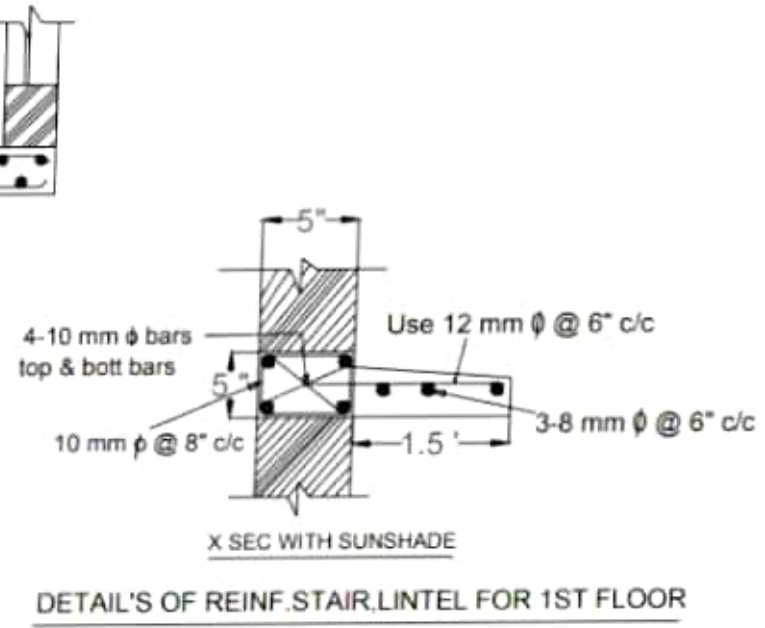
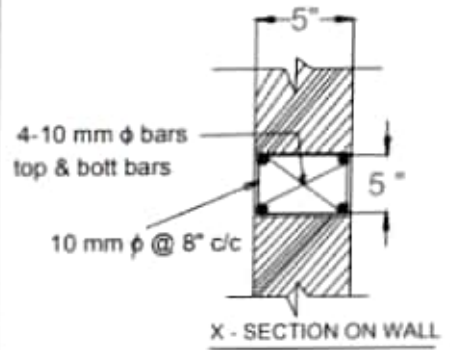
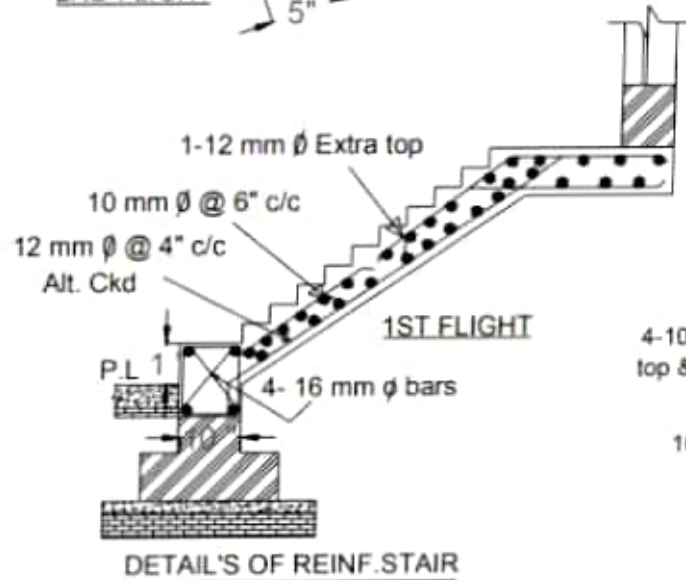
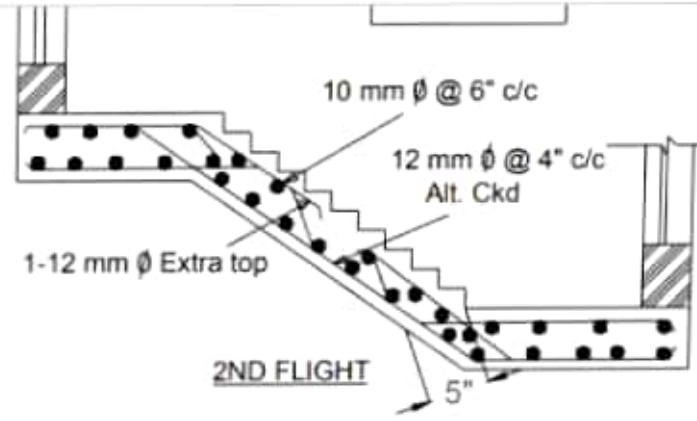


REINFORCEMENT DETAILS OF FLOOR / ROOF SLAB

APPROVED BY

DESIGN BY

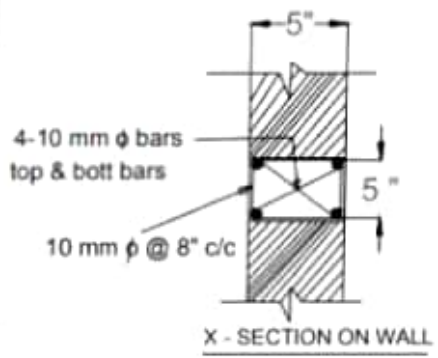
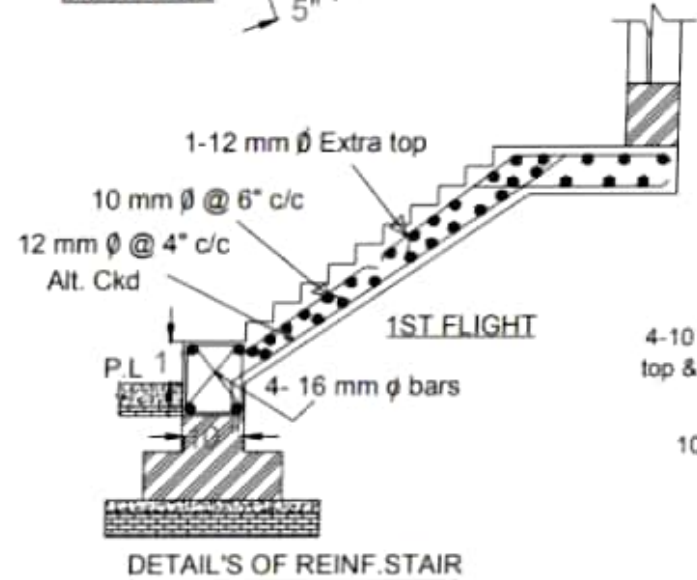
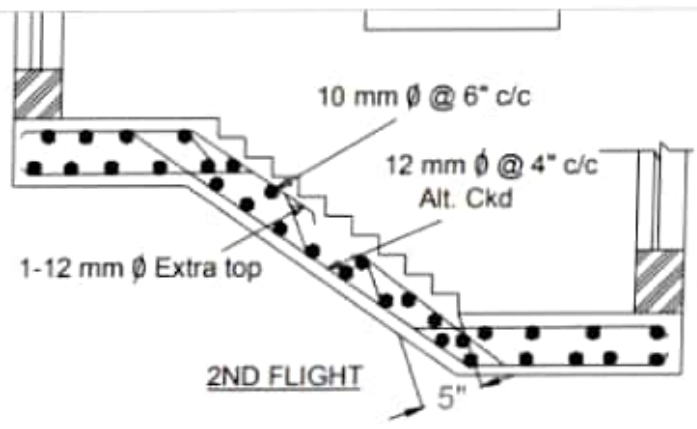
OWNER'S ADDRESS



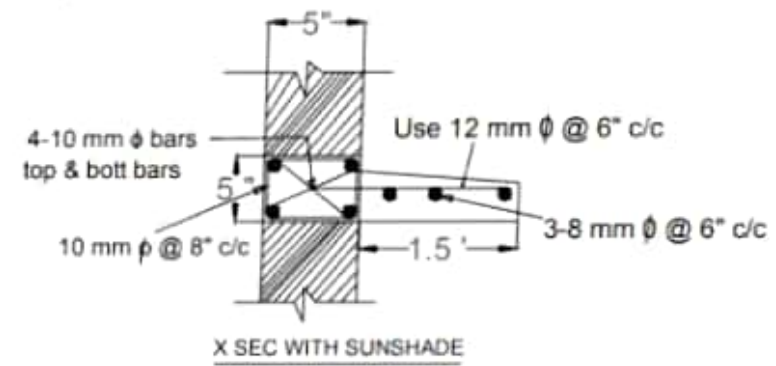
APPROVED BY

DESIGN BY

OWNER & ADDRESS



DETAIL'S OF REINF.STAIR



DETAIL'S OF REINF.STAIR.LINTEL FOR 1ST FLOOR

APPROVED BY

DESIGN BY

OWNER & ADDRESS