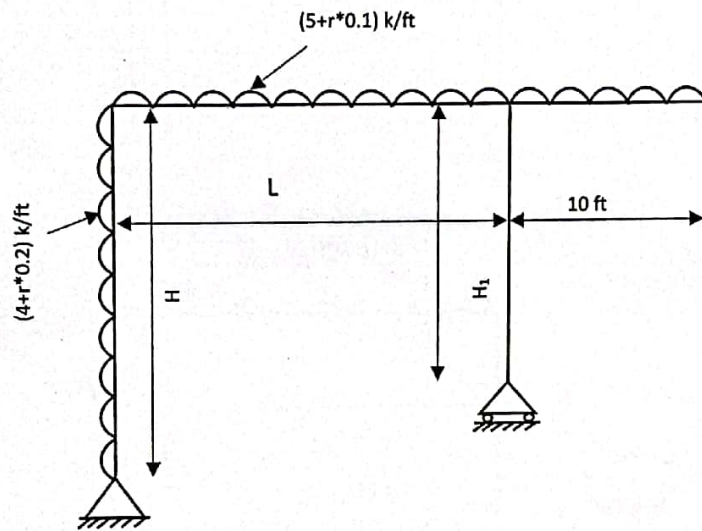
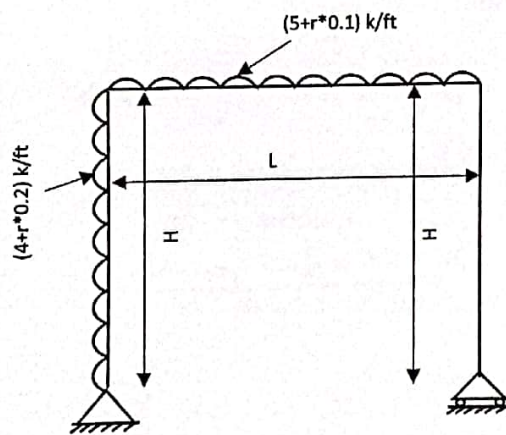


- ❖ Draw SFD and BMD
- ❖ $r =$ Last 3 digit of roll number
- ❖ $H = (15 + (r \cdot 0.06))$ ft
- ❖ $H_1 = (15 + (0.02 \cdot r))$ ft
- ❖ $L = (10 + (r \cdot 0.05))$ ft
- ❖ $L_1 = (8 + (0.01 \cdot r))$ ft

1.

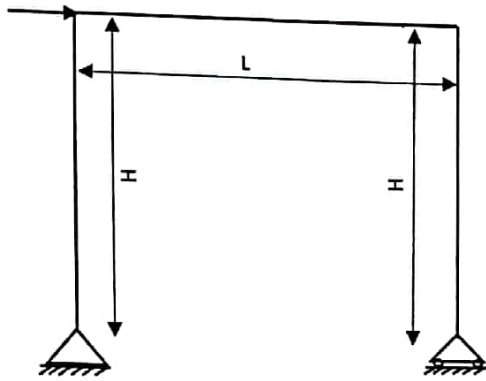


2.



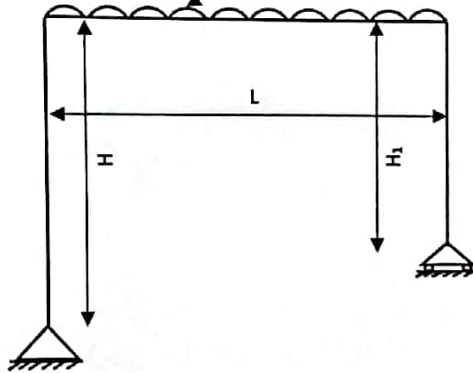
3.

$(5+r*0.05) k$



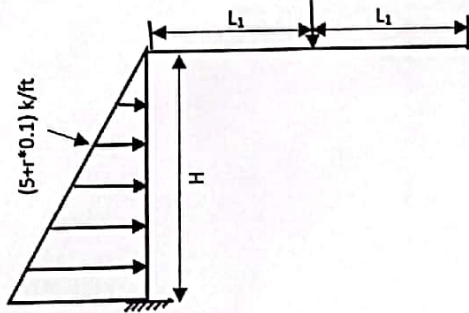
4.

$(5+r*0.1) k/ft$

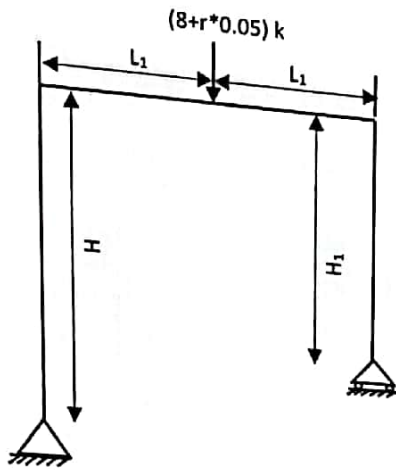


5.

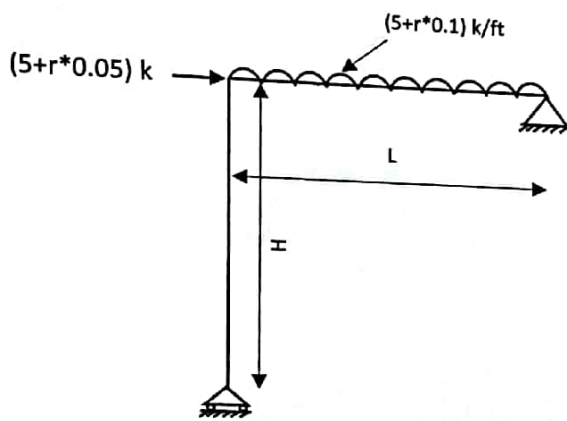
$(8+r*0.05) k$



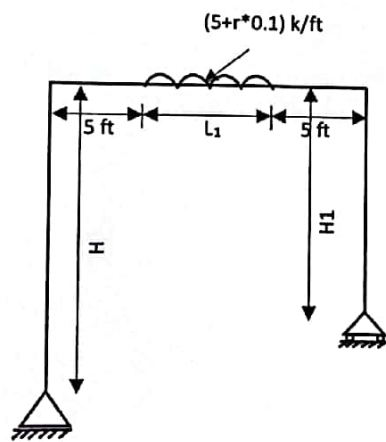
6.



7.



8.



9.

